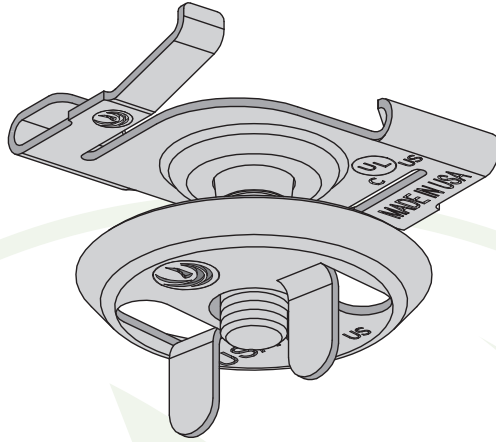


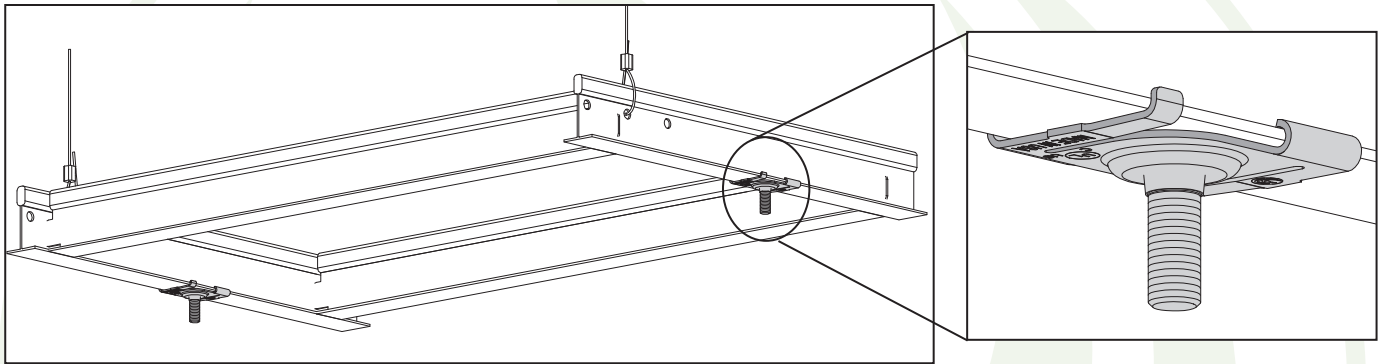
Installation and Instruction Sheets

TC TN - TWIST CLIP AND WING NUT

SHEET: 1 OF 2



INSTALLATION WITH DROP CEILING TEE GRID



Catalog Number	Stud Length	Description	Static Load Limit per Fastener
TC16	5/8"	15/16" Tee Twist Clip with Stud	50 Lbs.
TN	-	1/4"-20 Twist Clip Wing Nut	100 Lbs.
TC16 TN	5/8"	15/16" Tee Twist Clip and Wing Nut Assembly	50 Lbs.

Notes:

- The Twist Clip is intended for use on main T-bars only. Acoustic tee manufactures design cross tees to act as stiffeners only and not for carrying loads in excess of the tile itself.
- Fixtures should run parallel with main tees. If fixtures are run opposed to main tees, long runs of fixtures should be broken up so expansion of heated fixtures do not warp the tees. Twist clips should not be used if weight of fixture being supported causes flanges of tee to sag or bend.
- For wet or dry applications.



PHOENIX
SUPPORT SYSTEMS

Revision: 2

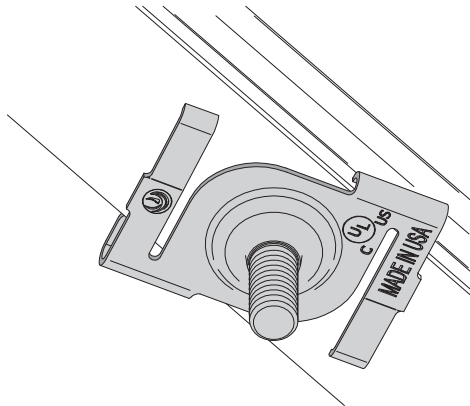
www.phoenixsupports.com • 800-721-0404

CUSTOMER RESPONSIBILITIES: At a minimum the customer(s) is responsible for using industry standard hardware and fasteners, inspecting the structural integrity of the structure to which Phoenix Support Systems products will be attached, conforming to all governing codes and regulations at the job site and following all safety precautions related to the work being performed.

WARNING: Phoenix Support Systems products must never be used for purposes other than those for which they were designed or in any way that exceeds published load ratings. All load ratings are for static conditions and do not account for dynamic loading such as wind, water or seismic loads. Phoenix Support Systems products must be installed and used only as indicated in Phoenix Support Systems installation and instruction sheets. Improper installation, misuse, misapplication or any other failure to completely follow Phoenix Support System's instructions could lead to decreased load rating, product failure, property damage, injury or even death.

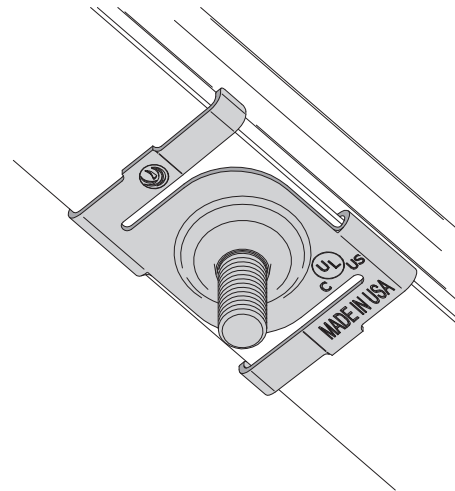
STEP 1:

Engage large flanges of Twist Clip over opposite sides of T-bar. Apply pressure to seat Twist Clip on T-bar.



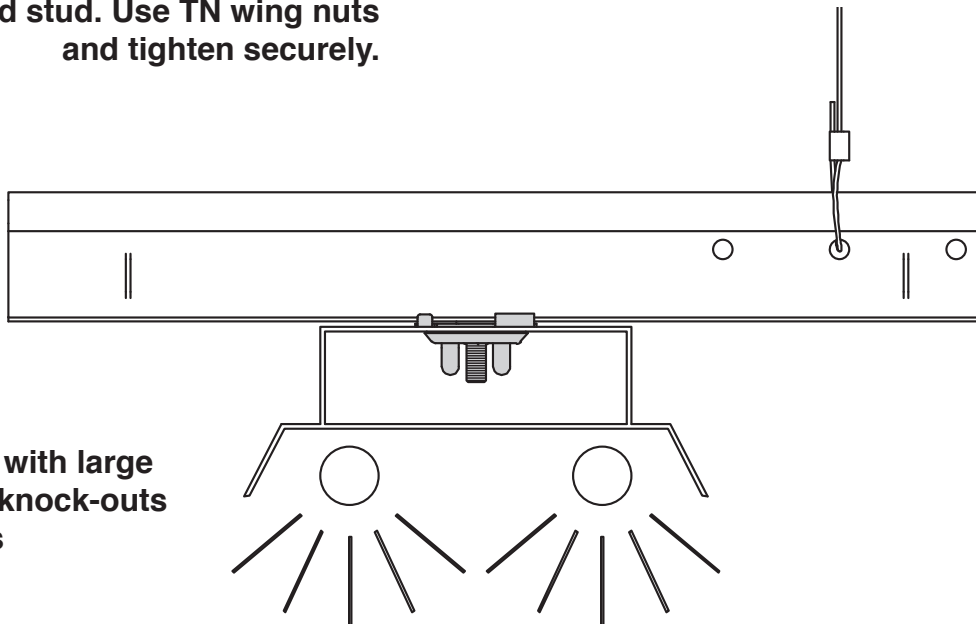
STEP 2:

Twist flanges clockwise until small flanges snap over edges. Twist Clip is now in position.



STEP 3:

Raise item to be hung over threaded stud. Use TN wing nuts and tighten securely.



Note:
Wing nut designed with large diameter for using knock-outs as mounting points

