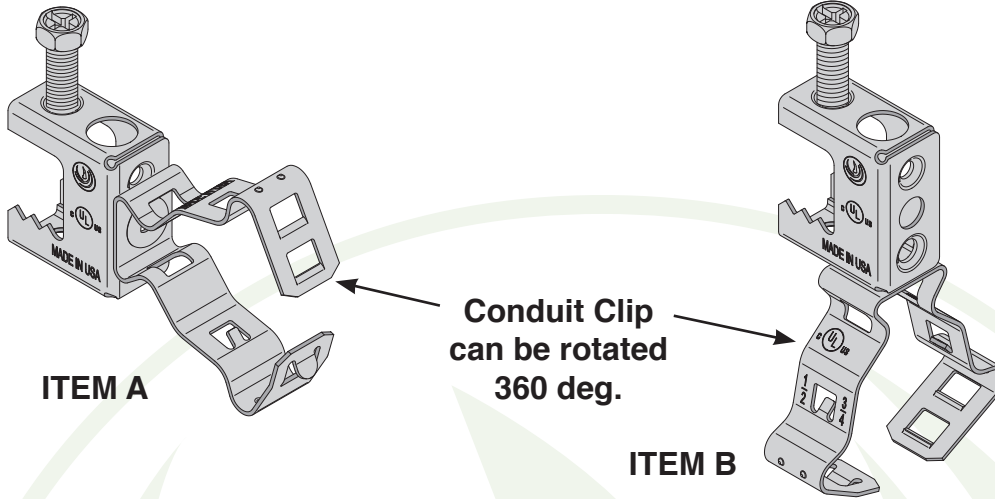


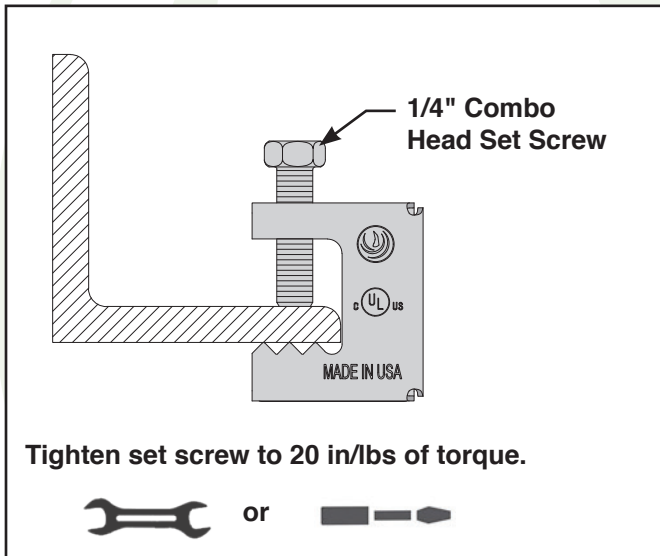
Installation and Instruction Sheets

BC C - BEAM CLAMP WITH CONDUIT CLIP

SHEET: 1 OF 2



BC C INSTALLATION



Item	Catalog Number	Conduit Size
A	BC C8-12H	1/2" EMT, IMC, Rigid 3/4" EMT, IMC, Rigid
A	BC C16H	1" EMT, Rigid
A	BC C20H*	1-1/4" EMT, Rigid
A	BC C24H*	1-1/2" EMT, Rigid
A	BC C32H*	2" EMT, Rigid
B	BC C8-12V	1/2" EMT, IMC, Rigid 3/4" EMT, IMC, Rigid
B	BC C16V	1" EMT, Rigid
B	BC C20V	1-1/4" EMT, Rigid
B	BC C24V	1-1/2" EMT, Rigid
B	BC C32V	2" EMT, Rigid

* UL Pending

Notes:

- For wet or dry applications.
- Maximum flange thickness is 1/2".
- See sheet 2 for common installation and load ratings.
- Conduit clips rotate 360°
- For support of conduit per NEC 344.30(B).



PHOENIX
SUPPORT SYSTEMS

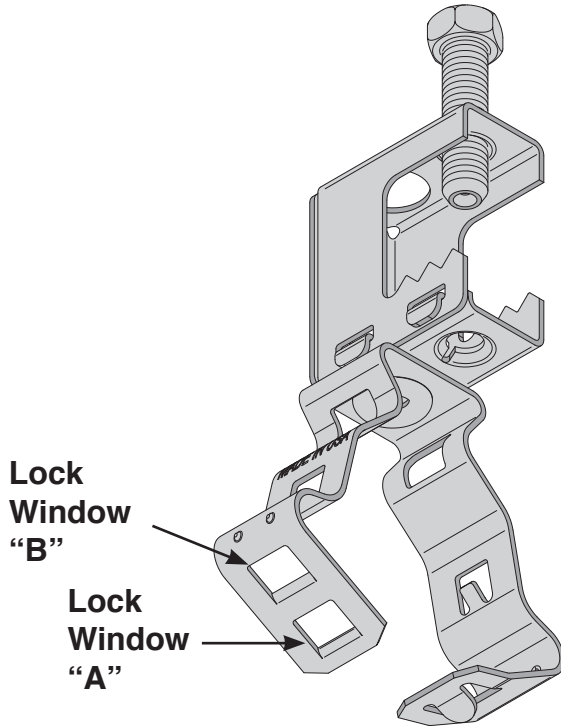
Revision: 4

www.phoenixsupports.com • 800-721-0404

CUSTOMER RESPONSIBILITIES: At a minimum the customer(s) is responsible for using industry standard hardware and fasteners, inspecting the structural integrity of the structure to which Phoenix Support Systems products will be attached, conforming to all governing codes and regulations at the job site and following all safety precautions related to the work being performed.

WARNING: Phoenix Support Systems products must never be used for purposes other than those for which they were designed or in any way that exceeds published load ratings. All load ratings are for static conditions and do not account for dynamic loading such as wind, water or seismic loads. Phoenix Support Systems products must be installed and used only as indicated in Phoenix Support Systems installation and instruction sheets. Improper installation, misuse, misapplication or any other failure to completely follow Phoenix Support System's instructions could lead to decreased load rating, product failure, property damage, injury or even death.

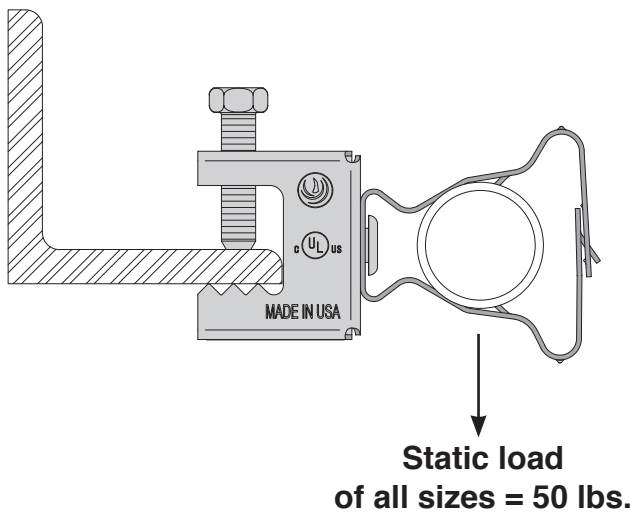
Verify lock window from the chart.
Lock with fingers or pliers.



	Lock Window "A"	Lock Window "B"
Conduit Size	1/2" Rigid, 3/4" EMT, IMC, Rigid	1/2" EMT, IMC
	1" EMT, Rigid	N/A
	1-1/4" Rigid	1-1/4" EMT
	1-1/2" Rigid	1-1/2" EMT
	2" Rigid	2" EMT

ITEM A:

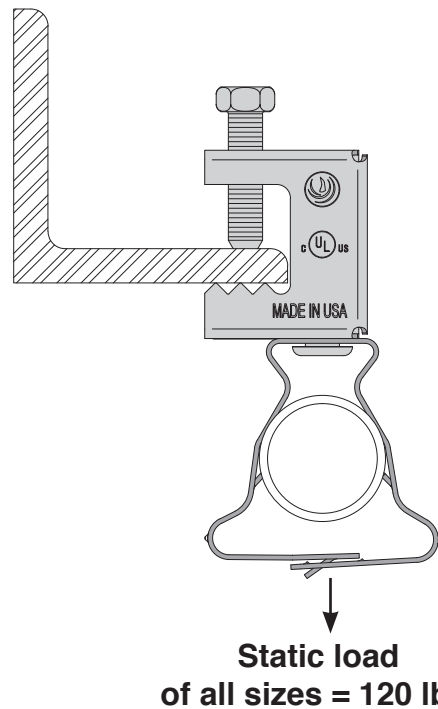
Horizontal



Static load
of all sizes = 50 lbs.

ITEM B:

Vertical



Static load
of all sizes = 120 lbs.

Phoenix Support Systems
931 Summit Avenue
Niles, Ohio 44446, USA
Fax: 330-505-9959



Tel: 800-721-0404

www.phoenixsupports.com

