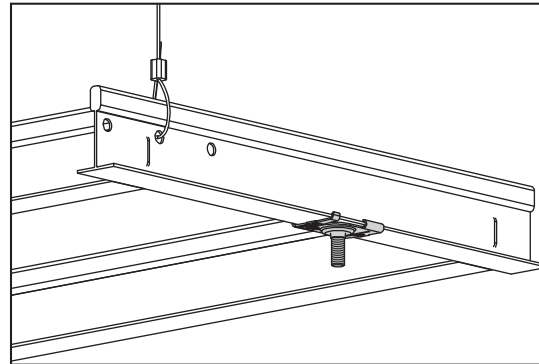
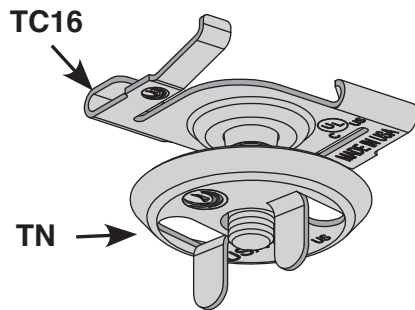


Available Finishes / Materials:

VG -- Phoenix Vanguard

Standard Finish: VG



- Use to attach lighting to main T-bars.
- Simple twist on design eliminates the need for installation tools.
- Will not damage T-grid.
- **Material:** Spring Steel
- **Finish:** Vanguard

| Catalog No. | Stud Length | Description | Static Load Limit per Fastener | Box Qty |
|-------------|-------------|------------------------------------|--------------------------------|---------|
| TC16 | 5/8" | 15/16" Tee Twist Clip with Stud | 50 Lbs. | 100 |
| TN | – | 1/4"-20 Twist Clip Wing Nut | 100 Lbs. | 100 |
| TC16 TN | 5/8" | 15/16" Tee Twist Clip and Wing Nut | 50 Lbs. | 100 |

Material Specifications and Finishes

Spring Steel:

Cold Roll, ASTM A684 Grade 1055 Spring Steel

VG – Phoenix Vanguard

Phoenix Vanguard coating is a multi-step process that meets the 1000 hour salt spray test per ASTM B117 and DIN 50021. **Vanguard coating is WEEE, ELV and RoHS compliant.** VG Finish is approved for wet and dry applications. It is a chrome free three step coating system that combines an inorganic zinc-rich basecoat with an aluminum-rich organic topcoat.

Note: Specifications subject to change without notice.

| | | |
|----------------------|-----------------|---------------|
| Project: | Date: | Phone: |
| Submitted By: | Address: | |
| Comment | | |