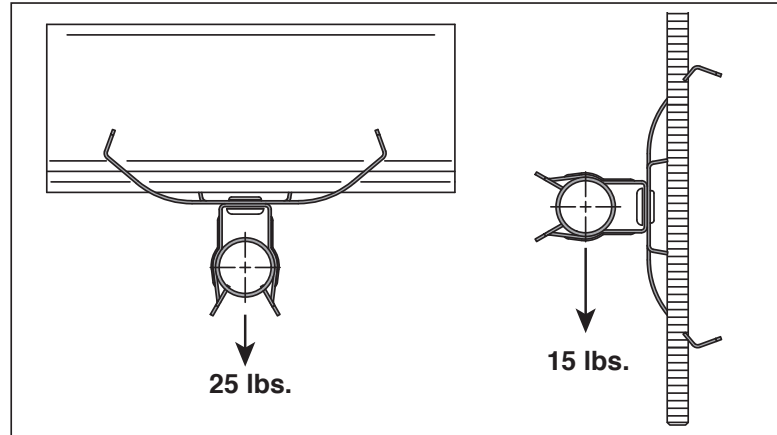
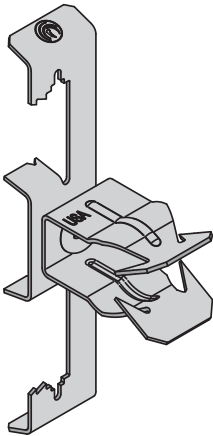


Available Finishes / Materials:

VG -- Phoenix Vanguard

Standard Finish: VG



- No tools required for installation of conduit.
- Supports conduit to a rod, wire or flange.
- **Material:** Spring Steel
- **Finish:** Vanguard

Catalog No.	Flange Size	Wire or Rod Size	Conduit Size	Box Qty
MF CP8	1/8" - 3/8"	#12 - 1/4" wire or rod with or without Threads	1/2" EMT	100
MF CP12	1/8" - 3/8"	#12 - 1/4" wire or rod with or without Threads	3/4" EMT, 1/2" Rigid	100
MF CP16	1/8" - 3/8"	#12 - 1/4" wire or rod with or without Threads	1" EMT, 3/4" Rigid	100

Material Specifications and Finishes

Spring Steel:

Cold Roll, ASTM A684 Grade 1055 Spring Steel

VG – Phoenix Vanguard

Phoenix Vanguard coating is a multi-step process that meets the 1000 hour salt spray test per ASTM B117 and DIN 50021. **Vanguard coating is WEEE, ELV and RoHS compliant.** VG Finish is approved for wet and dry applications. It is a chrome free three step coating system that combines an inorganic zinc-rich basecoat with an aluminum-rich organic topcoat.

Note: Specifications subject to change without notice.

Project:	Date:	Phone:
Submitted By:	Address:	
Comment		