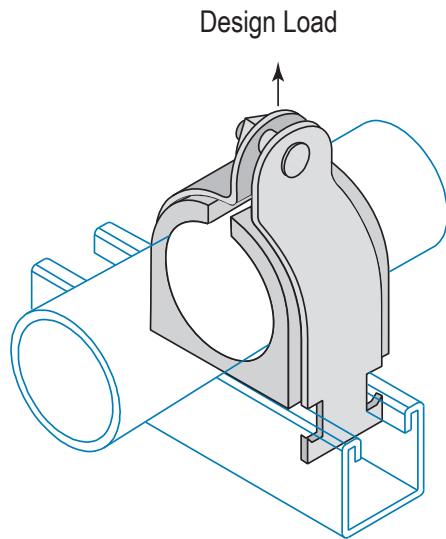


Available Finishes / Materials:

- YC -- Yellow chromate
- EG -- Electro-galvanized
- S4 -- 304 stainless steel
- S6 -- 316 stainless steel

Standard Finish: YC



Catalog Number	Tubing Size O.D.			Wt. lbs
	in	in	mm	
CCT 0025YC	1/4	0.250	6.4	0.11
CCT 0037YC	3/8	0.375	9.5	0.12
CCT 0050YC	1/2	0.500	12.7	0.13
CCT 0062YC	5/8	0.625	15.9	0.15
CCT 0075YC	3/4	0.750	19.0	0.14
CCT 0087YC	7/8	0.875	22.3	0.21
CCT 0100YC	1	1.000	25.4	0.22
CCT 0112YC	1 1/8	1.125	28.6	0.24
CCT 0125YC	1 1/4	1.250	31.8	0.25
CCT 0137YC	1 3/8	1.375	34.9	0.26
CCT 0150YC	1 1/2	1.500	38.1	0.36
CCT 0162YC	1 5/8	1.625	41.3	0.39
CCT 0175YC	1 3/4	1.750	44.5	0.43
CCT 0187YC	1 7/8	1.875	47.6	0.39
CCT 0200YC	2	2.000	50.8	0.43
CCT 0212YC	2 1/8	2.125	54.0	0.50
CCT 0225YC	2 1/4	2.250	57.2	0.52
CCT 0250YC	2 1/2	2.500	63.5	0.57
CCT 0262YC	2 5/8	2.625	66.7	0.57
CCT 0312YC	3 1/8	3.125	79.4	0.59
CCT 0362YC	3 5/8	3.625	92.1	0.64
CCT 0412YC	4 1/8	4.125	104.8	0.75

Other size available upon request.

## Material Specifications and Finishes

Carbon Steel – ASTM A1011-00 SS GR 33 or ASTM A1011-00CS Type B

YC – Yellow Zinc Dichromate. A 0.5 mil [12.7 µm] electro-galvanized zinc plating meeting ASTM B633 SC1 Type III is applied to the surface of the metal. Yellow Dichromate is applied over the zinc. This results in a yellowish gold appearance and acts as a nonporous barrier sealant that is corrosion resistant and can be painted.

EG – Electro-Galvanized. Electroplating deposits zinc on the surface of the steel by electrolysis from a bath of zinc salts. Recommended for relatively dry indoor use. This is the standard coating for most Jet Stream products. Thickness of applied zinc is between 0.2 mils to 0.5 mils [5.1 µm to 12.7 µm]. Coatings on Jet Stream EG products meet ASTM B633 SC1 Type III.

S4 – 304 Stainless Steel – ASTM A240 (Type 304)

S6 – 316 Stainless Steel – ASTM A240 (Type 316),  
316 Stainless Steel Nuts – ASTM A276-03

Note: Specifications subject to change without notice.

<b>Project:</b>	<b>Date:</b>	<b>Phone:</b>
<b>Submitted By:</b>	<b>Address:</b>	
<b>Comment</b>		