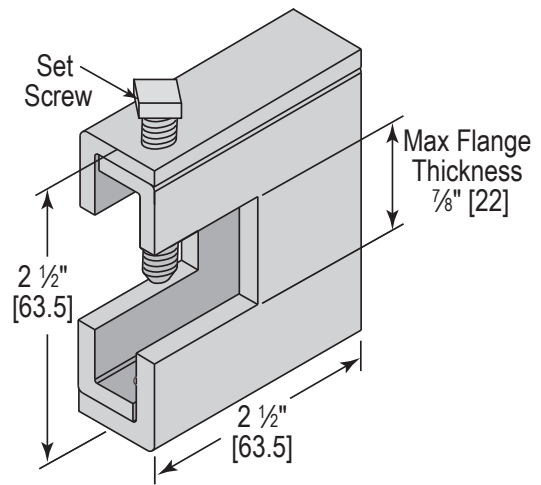


Available Finishes / Materials:

- EG -- Electro-galvanized
- HD -- Hot dipped galvanized
- S4 -- 304 stainless steel
- S6 -- 316 stainless steel

Standard Finish: EG

Maximum flange thickness $\frac{7}{8}$ " [22]



Catalog Number	Wt. lbs	Rod Size	Set Screw	Thickness	Design Load	
					lbs	kN
BC160037EG	1.00	$\frac{3}{8}$ "	$\frac{1}{2}$ " - 13	$\frac{3}{16}$ "	1,100	4.89
BC160050EG	1.30	$\frac{1}{2}$ "	$\frac{1}{2}$ " - 13	$\frac{1}{4}$ "	1,600	7.12
BC160062EG	1.60	$\frac{5}{8}$ "	$\frac{5}{8}$ " - 11	$\frac{5}{16}$ "	2,400	10.67

Material Specifications and Finishes

Carbon Steel – ASTM A1011-00 SS GR 33 or ASTM A1011-00CS Type B

S4 – 304 Stainless Steel – ASTM A240 (Type 304)

S6 – 316 Stainless Steel – ASTM A240 (Type 316),
316 Stainless Steel Nuts – ASTM A276-03

EG – Electro-Galvanized. Electroplating deposits zinc on the surface of the steel by electrolysis from a bath of zinc salts. Recommended for relatively dry indoor use. This is the standard coating for most Jet Stream products. Thickness of applied zinc is between 0.2 mils to 0.5 mils [5.1 μ m to 12.7 μ m]. Coatings on Jet Stream EG products meet ASTM B633 SC1 Type III.

HD – Hot Dip Galvanized After Fabrication. Fabricated product is dipped in molten zinc and is completely covered on all surfaces. Recommended for outdoor use. Coatings on Jet Stream HD products meet ASTM A123/153. The zinc coating is typically 2.6 mils [66.0 μ m] or 1.5 oz. per square foot [0.46 kg per square meter] per side.

Note: Specifications subject to change without notice.

Project:	Date:	Phone:
Submitted By:	Address:	
Comment		