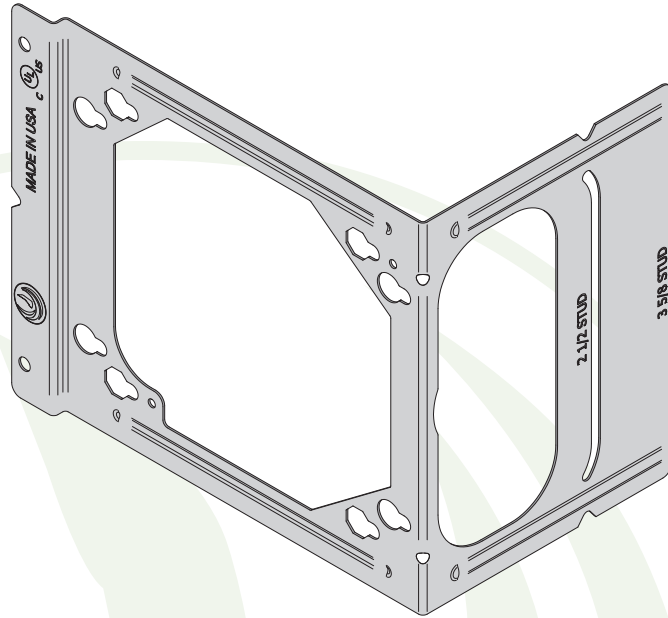
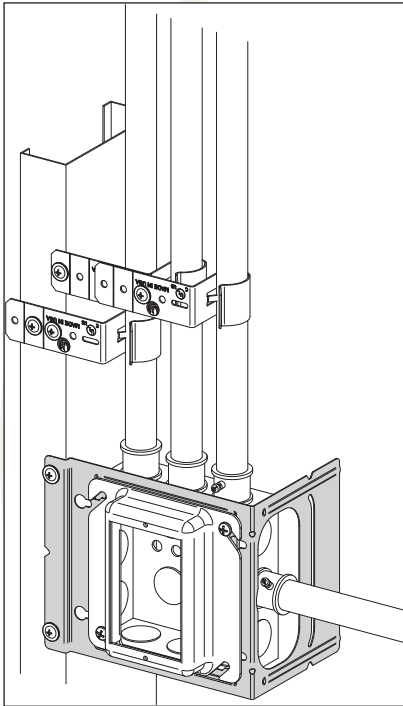


# Installation and Instruction Sheets

## BBS - ELECTRICAL BOX BRACKET FOR WOOD OR METAL STUDS

SHEET: 1 OF 2

### INSTALLATION WITH STUD



Catalog Number	Outlet Boxes	Box Depths	Stud Depths
BBS	4" Square, 4-11/16" Square and Low Voltage Plaster Rings	1-1/4", 1-1/2", and 2-1/8" Deep	2-1/2", 3-5/8"



#### Notes:

- STS8 low profile screws recommended for installation
- For wet or dry applications.
- Integral far side support

Revision: R2



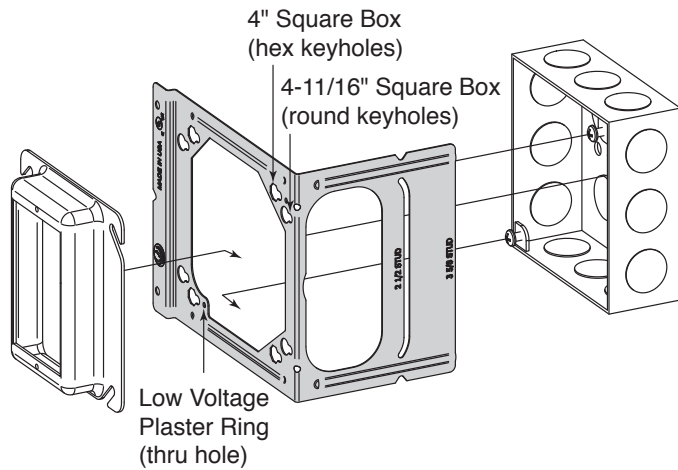
**PHOENIX**  
SUPPORT SYSTEMS

[www.phoenixsupports.com](http://www.phoenixsupports.com) • 800-721-0404

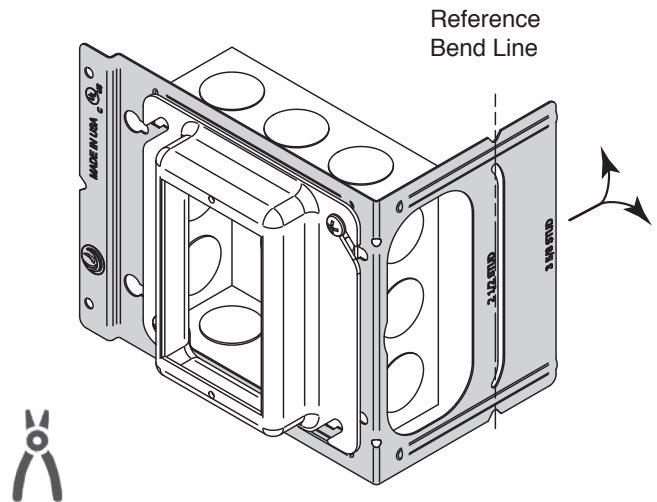
**CUSTOMER RESPONSIBILITIES:** At a minimum the customer(s) is responsible for using industry standard hardware and fasteners, inspecting the structural integrity of the structure to which Phoenix Support Systems products will be attached, conforming to all governing codes and regulations at the job site and following all safety precautions related to the work being performed.

**WARNING:** Phoenix Support Systems products must never be used for purposes other than those for which they were designed or in any way that exceeds published load ratings. All load ratings are for static conditions and do not account for dynamic loading such as wind, water or seismic loads. Phoenix Support Systems products must be installed and used only as indicated in Phoenix Support Systems installation and instruction sheets. Improper installation, misuse, misapplication or any other failure to completely follow Phoenix Support System's instructions could lead to decreased load rating, product failure, property damage, injury or even death.

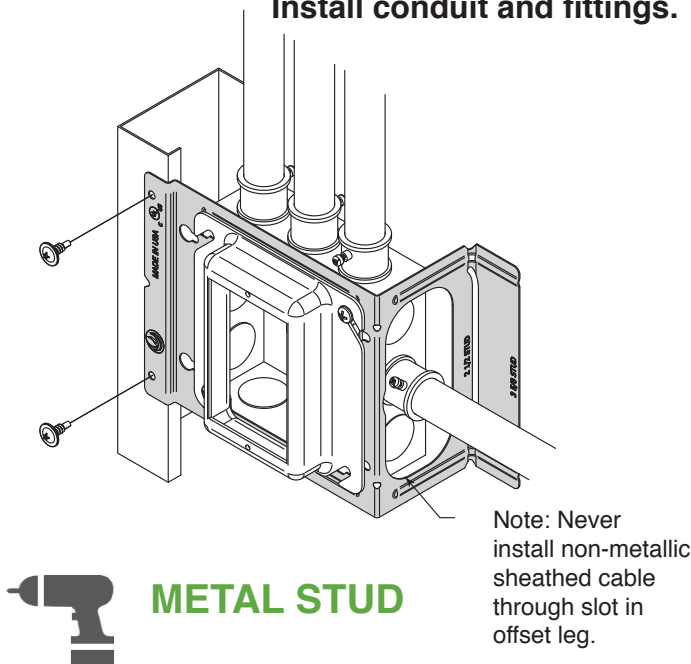
**STEP 1:** Align electrical box with keyholes provided in BBS Bracket. Attach plaster ring and slide box and ring in keyholes. Tighten electrical box screws.



**STEP 2:** Using pliers, bend stud offset leg for desired stud depth. Leg may be bent in either direction.



**STEP 3:** Screw assembly to metal stud with STS8 screws. Install conduit and fittings.



Nail assembly to wood stud. Install conduit and fittings.

