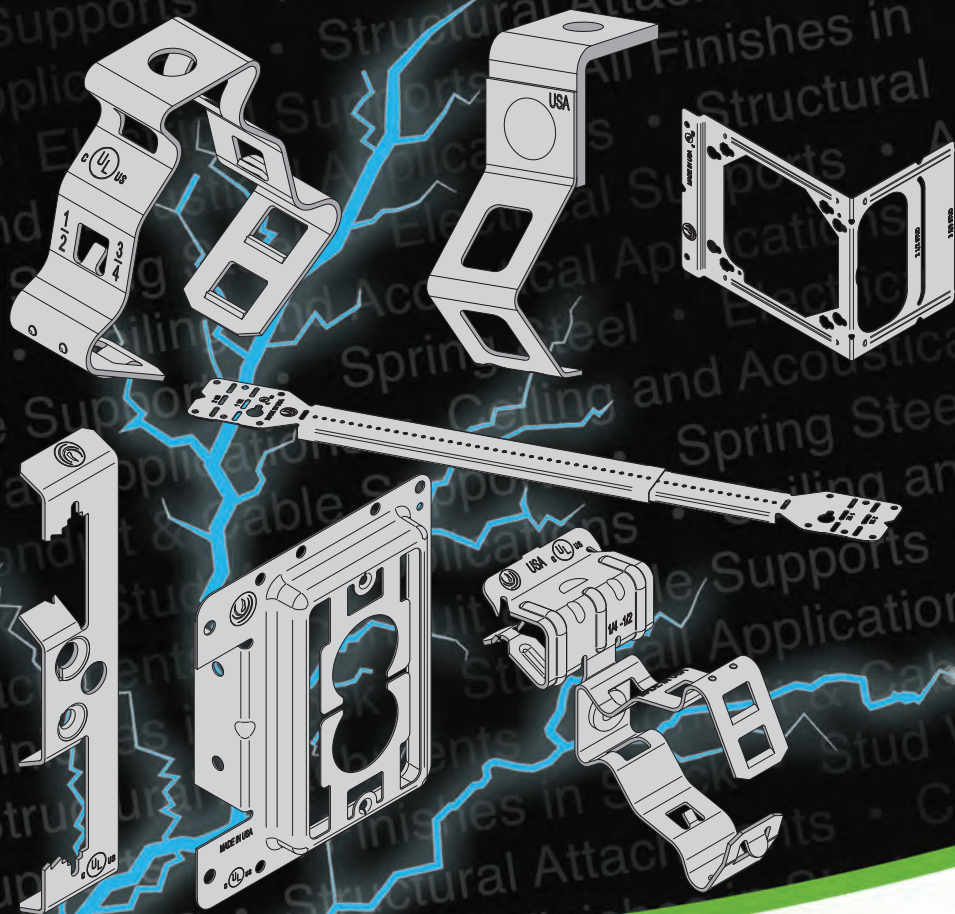




PHOENIX

SUPPORT SYSTEMS



New Electrical Support Products Including:

- Conduit and Cable Supports
- Structural Attachments
- Stud Wall Applications
- Ceiling and Acoustical Applications



Made in USA



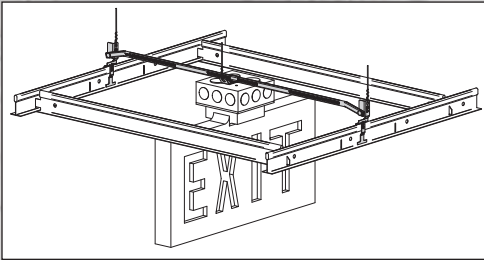
PHOENIX

SUPPORT SYSTEMS

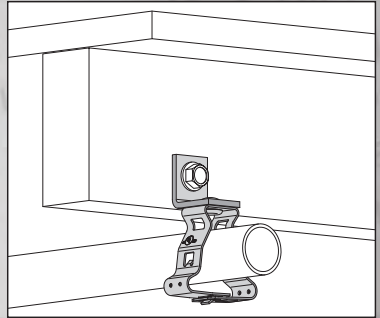
Ceiling & Acoustical Applications

Structural Attachments

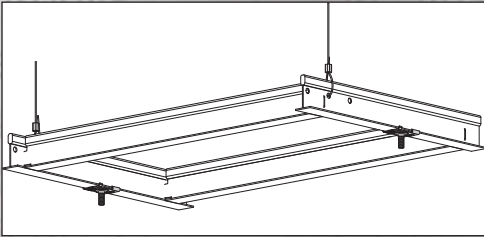
EB EBC - Electrical Box Hanger



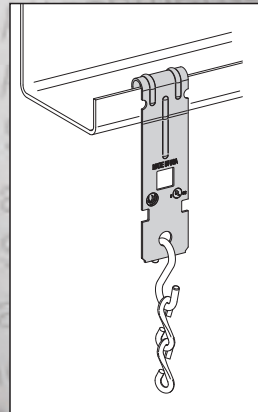
AB NB C - Angle Bracket, Nail Bracket and Conduit Clip



TC TN - Twist Clip and Wing Nut



FVZ - Flange Hanger for "C" and "Z" Purlins and Bar Joists



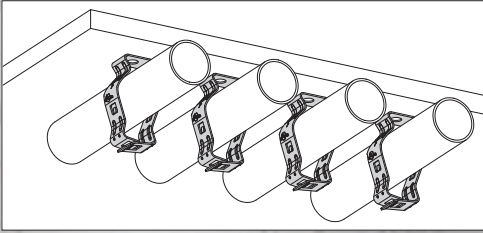
We have been manufacturing the highest quality strut accessories on the market for over a decade, and now we are going to bring the same domestic quality and competitive value to you in our new Spring Steel Fastening Line. *Contact us for more information!*

Over **100 Years**
of **Collective**
Industry Experience

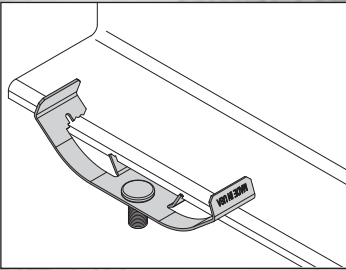


Conduit and Cable Supports

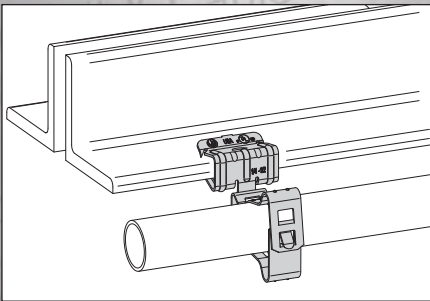
C & CT - Conduit Clips



MF - Multi-Function Clip

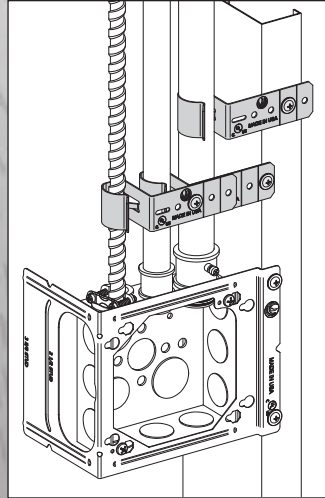


FS C - Flange Clip Hammer On Side
Mount and Conduit Clip

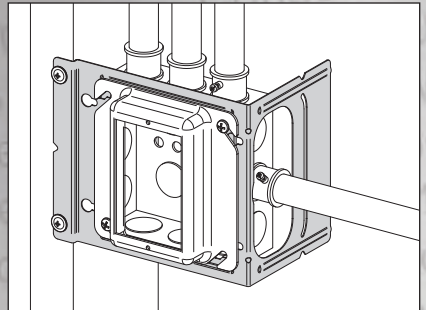


Stud Wall Applications

CCS - Conduit Clip to Wood or
Metal Stud



BBS - Electrical Box Bracket for
Wood or Metal Studs



Tel: **800-721-0404**
www.phoenixsupports.com

***New Products Arriving Soon!
Stay Tuned for Updates!***



PHOENIX
SUPPORT SYSTEMS

Tel: 800-721-0404
www.phoenixsupports.com

931 Summit Avenue
Niles, Ohio 44446, USA
Fax: 330-505-9959