

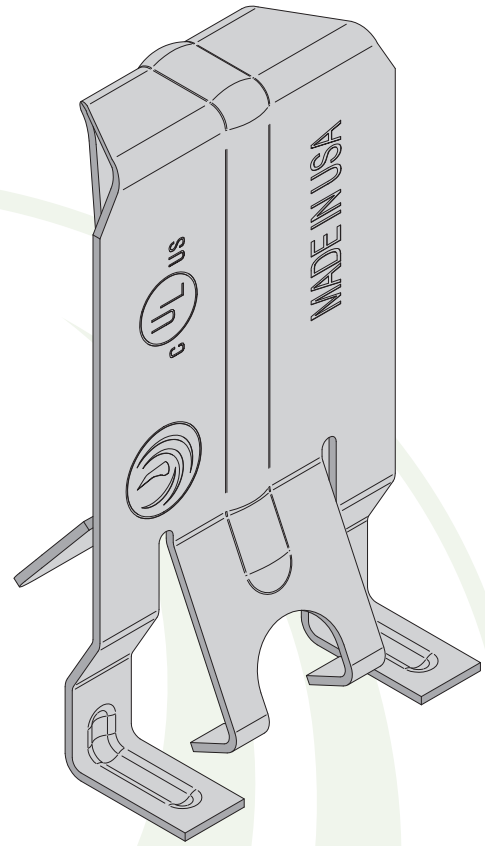
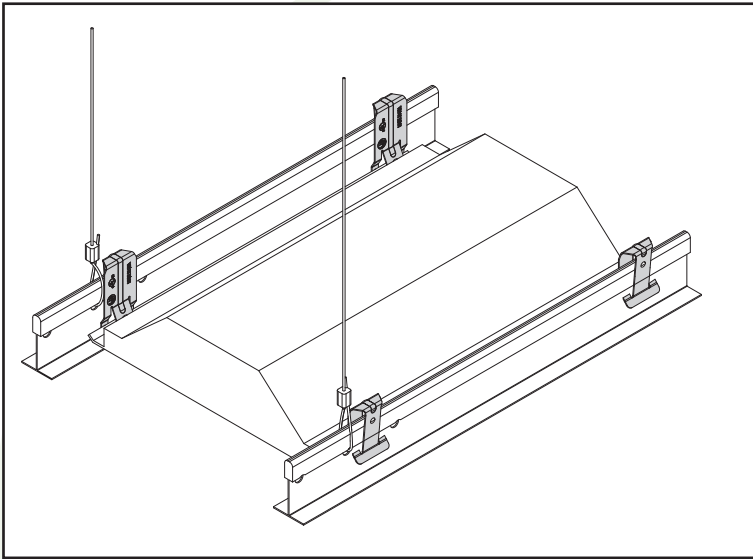
# Installation and Instruction Sheets

## SCT - SUPPORT CLIP FOR TROFFER LIGHTS & LAY INS

SHEET: 1 OF 2

\* Commonly known as “Hurricane Clip”

### TYPICAL INSTALLATION



Catalog Number	Description
SCT	Support clip for securing troffers, lay-ins and air diffusers to T-Grid

#### Notes:

- Complies with National Electrical Code, Article 410.16 means of support.
- Four clips per fixture required per UL Listing.
- No load rating, for position only.
- Compatible with straight lip or upturned lip fixtures.
- Fits round or rectangle head T-Grid (tall grid compatible)
- No tools required



**PHOENIX**  
SUPPORT SYSTEMS

Revision: 1

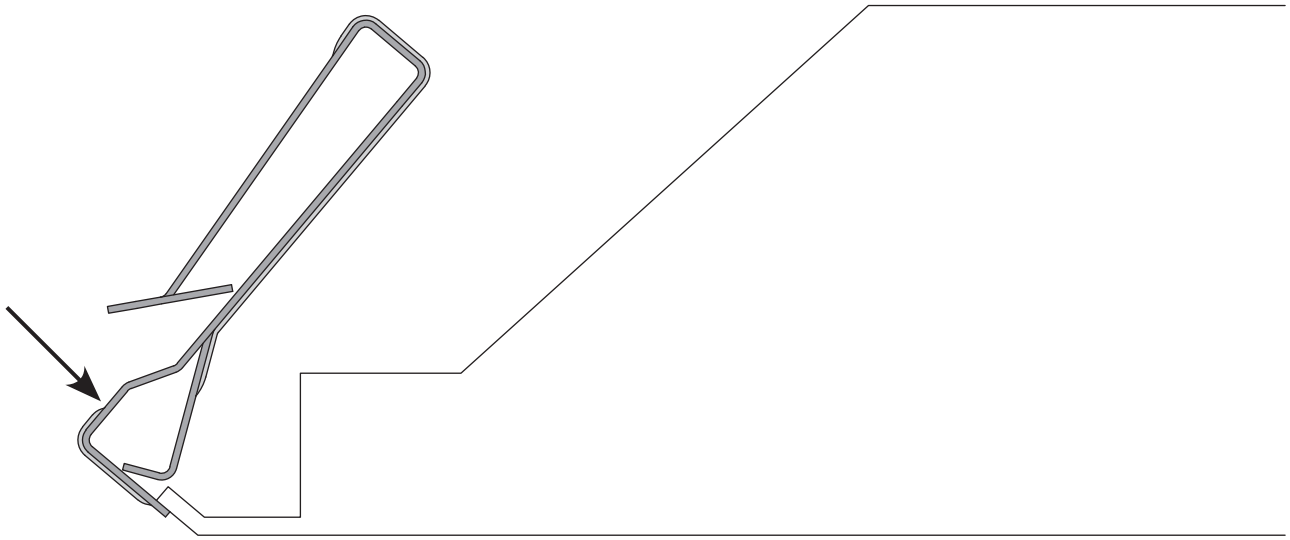
[www.phoenixsupports.com](http://www.phoenixsupports.com) • 800-721-0404

**CUSTOMER RESPONSIBILITIES:** At a minimum the customer(s) is responsible for using industry standard hardware and fasteners, inspecting the structural integrity of the structure to which Phoenix Support Systems products will be attached, conforming to all governing codes and regulations at the job site and following all safety precautions related to the work being performed.

**WARNING:** Phoenix Support Systems products must never be used for purposes other than those for which they were designed or in any way that exceeds published load ratings. All load ratings are for static conditions and do not account for dynamic loading such as wind, water or seismic loads. Phoenix Support Systems products must be installed and used only as indicated in Phoenix Support Systems installation and instruction sheets. Improper installation, misuse, misapplication or any other failure to completely follow Phoenix Support System's instructions could lead to decreased load rating, product failure, property damage, injury or even death.

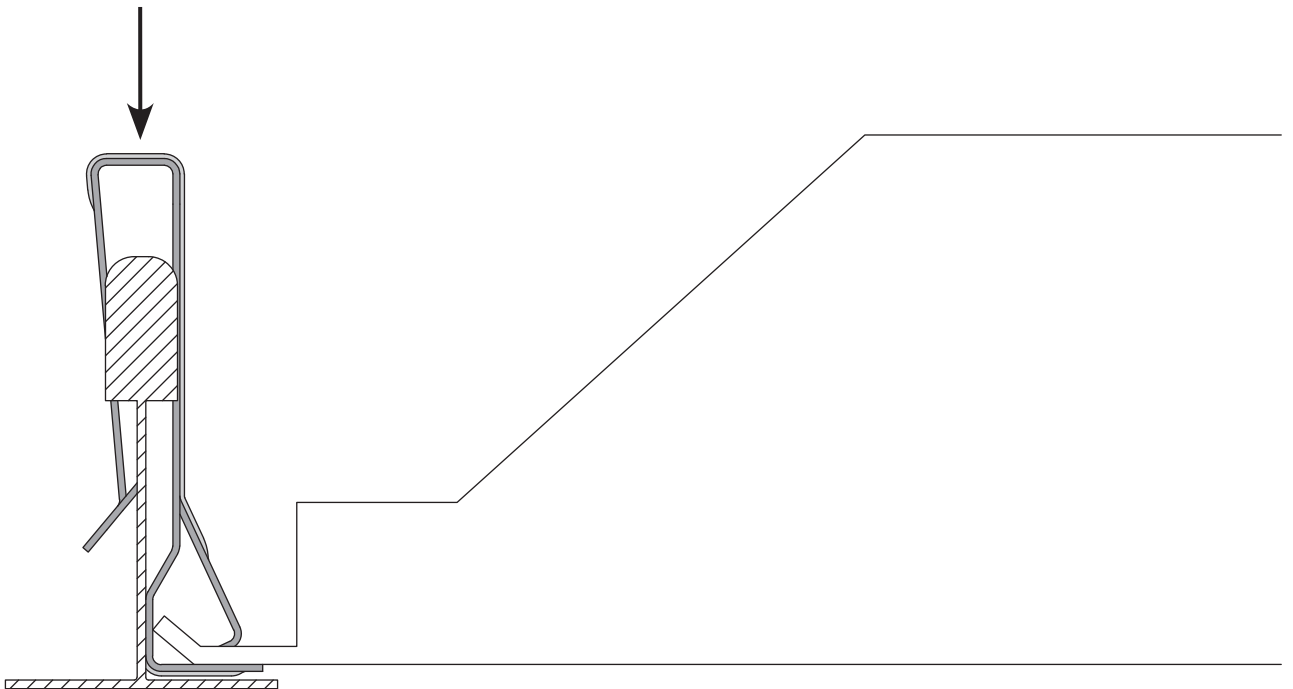
**STEP 1:**

**Snap Clip onto fixture lip.**



**STEP 2:**

**Push down to seat onto T-grid.**



Phoenix Support Systems  
931 Summit Avenue  
Niles, Ohio 44446, USA  
Fax: 330-505-9959



Tel: 800-721-0404

[www.phoenixsupports.com](http://www.phoenixsupports.com)

