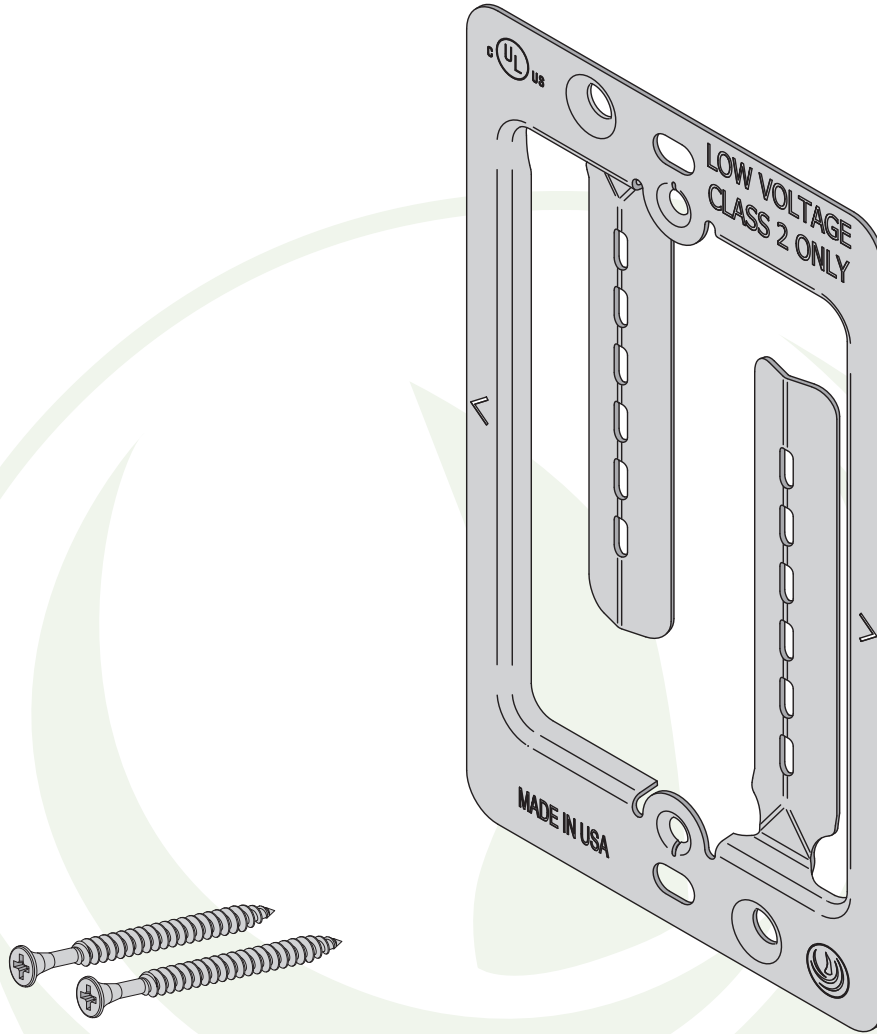


# Installation and Instruction Sheets

## LVPS - LOW VOLTAGE MOUNTING PLATE WITH SCREWS FOR EXISTING CONSTRUCTION

SHEET: 1 OF 2



Catalog Number	Gang	Drywall Thickness
LVPS	1	1/2" thru 1-1/4"



Made in USA



### Notes:

- For low voltage class 2 wiring only.
- Screws Included.
- For wet or dry applications.



**PHOENIX**  
SUPPORT SYSTEMS

Revision: R2

[www.phoenixsupports.com](http://www.phoenixsupports.com) • 800-721-0404

**CUSTOMER RESPONSIBILITIES:** At a minimum the customer(s) is responsible for using industry standard hardware and fasteners, inspecting the structural integrity of the structure to which Phoenix Support Systems products will be attached, conforming to all governing codes and regulations at the job site and following all safety precautions related to the work being performed.

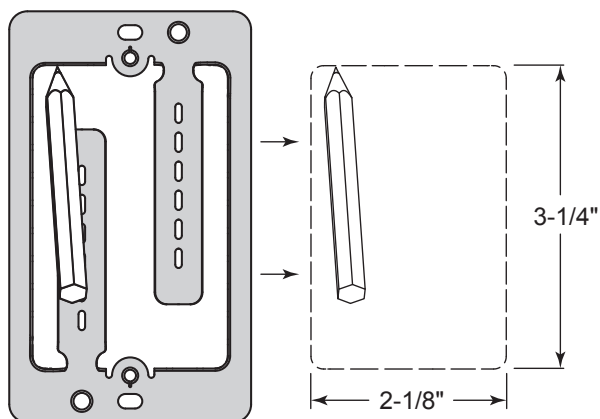
**WARNING:** Phoenix Support Systems products must never be used for purposes other than those for which they were designed or in any way that exceeds published load ratings. All load ratings are for static conditions and do not account for dynamic loading such as wind, water or seismic loads. Phoenix Support Systems products must be installed and used only as indicated in Phoenix Support Systems installation and instruction sheets. Improper installation, misuse, misapplication or any other failure to completely follow Phoenix Support System's instructions could lead to decreased load rating, product failure, property damage, injury or even death.

# LVPS - LOW VOLTAGE MOUNTING PLATE WITH SCREWS FOR EXISTING CONSTRUCTION

SHEET: 2 OF 2

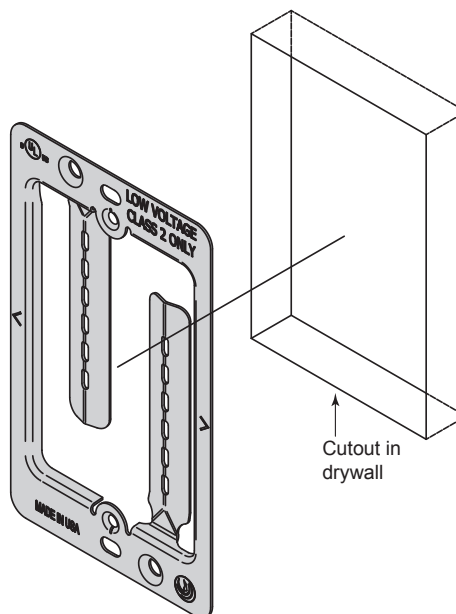
## STEP 1:

Flip LVPS plate over and hold against wall. Trace inside dotted lines as shown. Remove LVPS plate from wall and connect lines with straight edge.



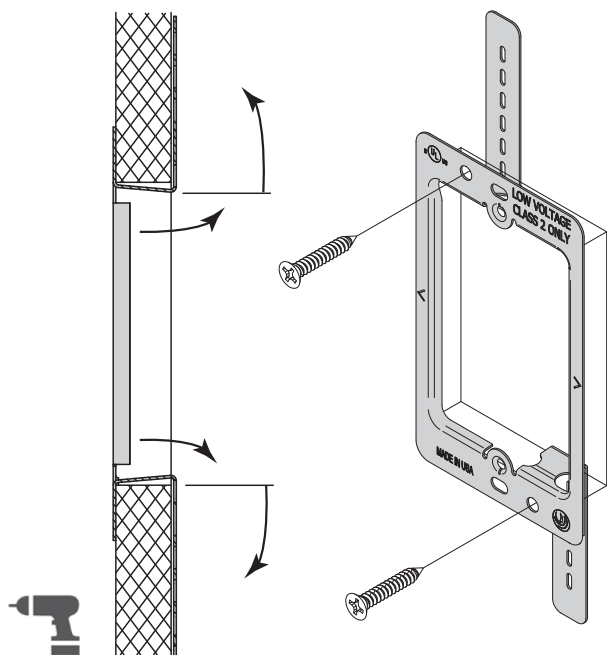
## STEP 2:

Cut drywall on traced lines. Press LVPS plate into cutout in drywall



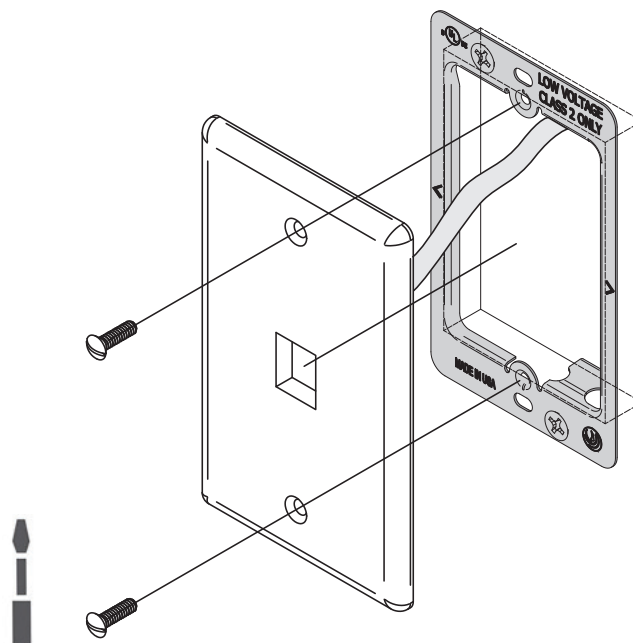
## STEP 3:

Fold inside tabs in as show at arrows. Screw plate to tab through drywall as shown.



## STEP 4:

Connect wiring and assemble low voltage wall plate to LVPS plate.



Phoenix Support Systems  
931 Summit Avenue  
Niles, Ohio 44446, USA  
Fax: 330-505-9959



Tel: 800-721-0404

[www.phoenixsupports.com](http://www.phoenixsupports.com)

