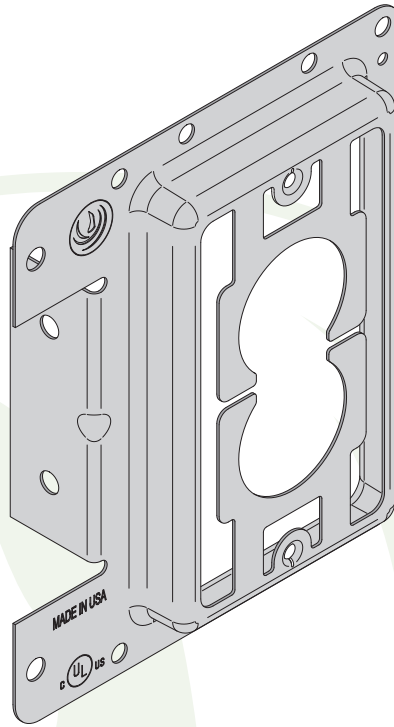
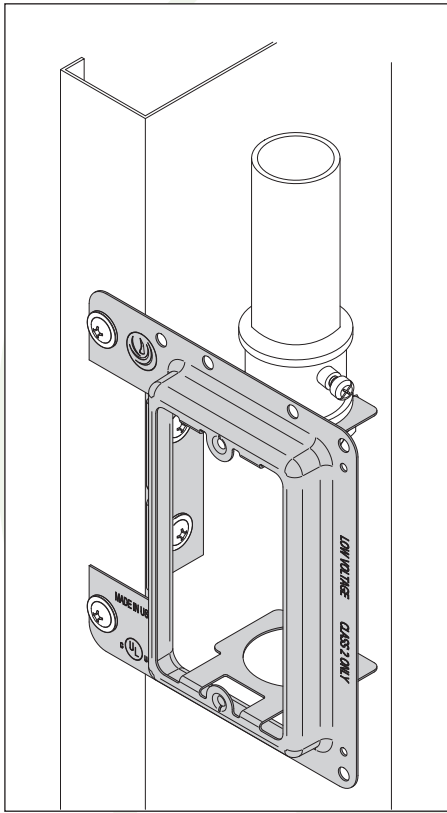


Installation and Instruction Sheets

LVPN - LOW VOLTAGE MOUNTING PLATE FOR NEW CONSTRUCTION (WOOD OR METAL STUDS)

SHEET: 1 OF 2

INSTALLATION WITH STUD



Catalog Number	Gang	Drywall Thickness
LVPN	1	1/2" thru 5/8"

Notes:

- For low voltage class 2 wiring only.
- STS8 low profile screws recommended for installation.
- For wet or dry applications.



Made in USA



PHOENIX
SUPPORT SYSTEMS

Revision: R2

www.phoenixsupports.com • 800-721-0404

CUSTOMER RESPONSIBILITIES: At a minimum the customer(s) is responsible for using industry standard hardware and fasteners, inspecting the structural integrity of the structure to which Phoenix Support Systems products will be attached, conforming to all governing codes and regulations at the job site and following all safety precautions related to the work being performed.

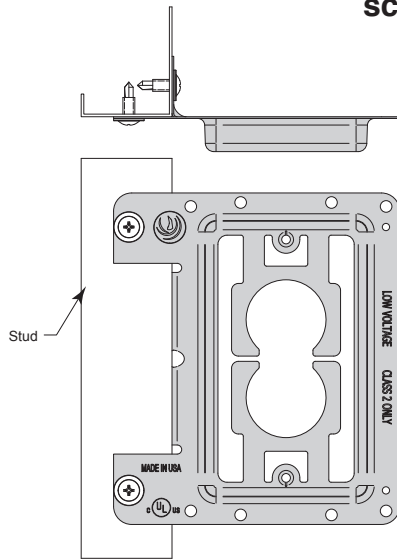
WARNING: Phoenix Support Systems products must never be used for purposes other than those for which they were designed or in any way that exceeds published load ratings. All load ratings are for static conditions and do not account for dynamic loading such as wind, water or seismic loads. Phoenix Support Systems products must be installed and used only as indicated in Phoenix Support Systems installation and instruction sheets. Improper installation, misuse, misapplication or any other failure to completely follow Phoenix Support System's instructions could lead to decreased load rating, product failure, property damage, injury or even death.

**LVPN - LOW VOLTAGE MOUNTING PLATE FOR NEW CONSTRUCTION
(WOOD OR METAL STUDS)**

SHEET: 2 OF 2

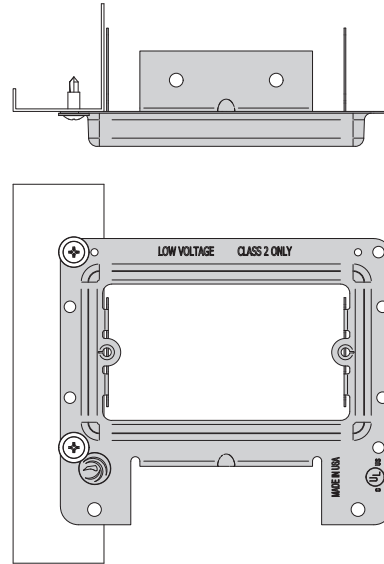
STEP 1:

**Adjust to desired height
and attach with STS8
screws or nails**



Vertical Mounting

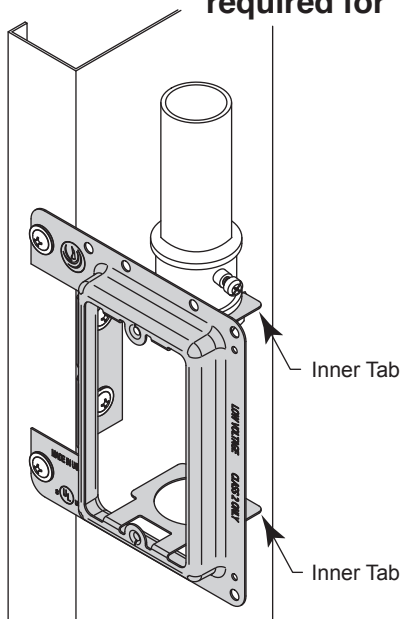
**Bend inner tabs in as shown. Using the
inner tab as stop, adjust to desired height
and attach with STS8 screws or nails.**



Horizontal Mounting

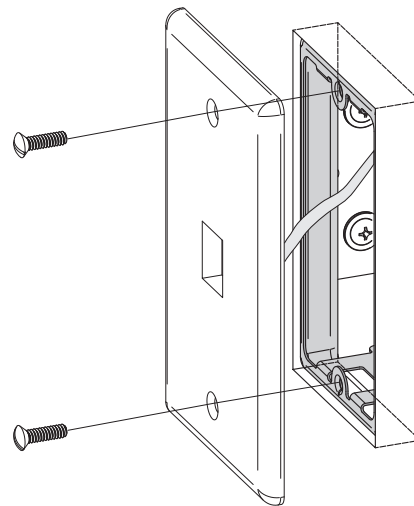
STEP 2:

**Bend inner tabs inward.
Attach 3/4" EMT fitting to
inner tab if required. Reducer
required for 1/2" EMT.**



STEP 3:

**After drywall installation, connect
wiring and assemble low voltage
wall plate to LVPN plate.**



**Note:
Approx. drywall cutout
2-1/4" x 3-3/4"**

Phoenix Support Systems
931 Summit Avenue
Niles, Ohio 44446, USA
Fax: 330-505-9959



Tel: 800-721-0404

www.phoenixsupports.com

