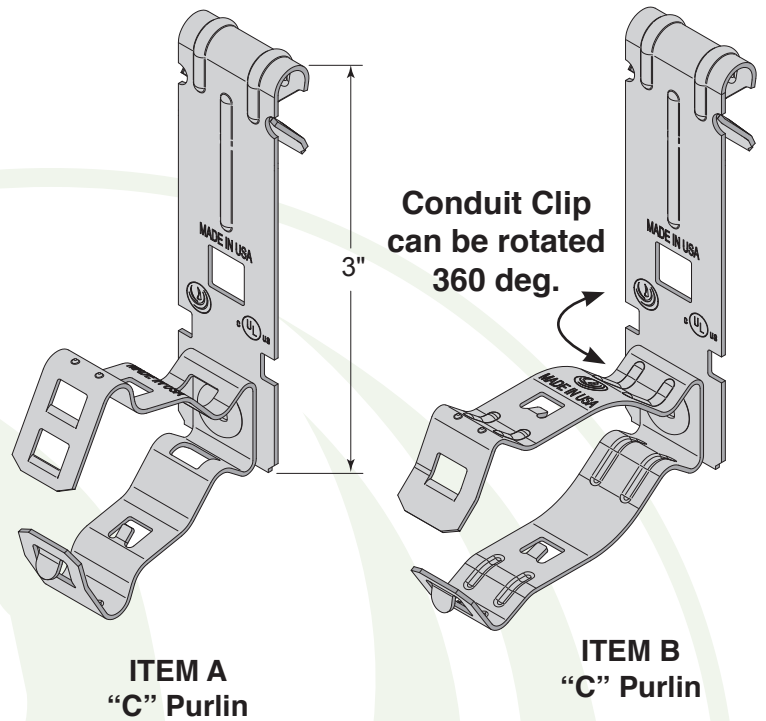
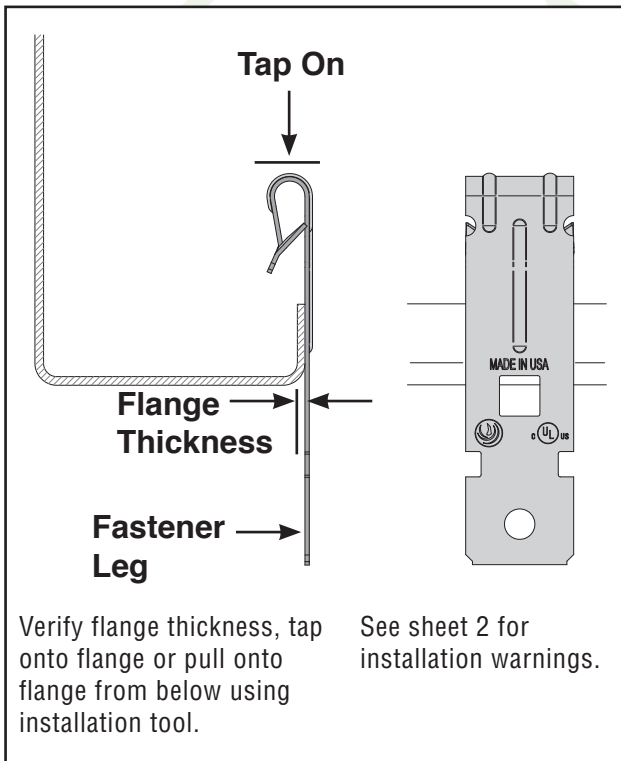


# Installation and Instruction Sheets

## FV C - FLANGE HANGER WITH CONDUIT CLIP

SHEET: 1 OF 2

### FV INSTALLATION



Item	Catalog Number	Minimum - Maximum Flange Thickness	Conduit Size
A	FV3 C8-12	1/16" - 1/4"	1/2" & 3/4" EMT, IMC, Rigid
B	FV3 C16	1/16" - 1/4"	1" EMT, Rigid

#### Notes:

- Flange hangers are for single use only
- For wet or dry applications.
- Compatible with many industry standard installation tools.
- For support of conduit per NEC 344.30(B).



**PHOENIX**  
SUPPORT SYSTEMS

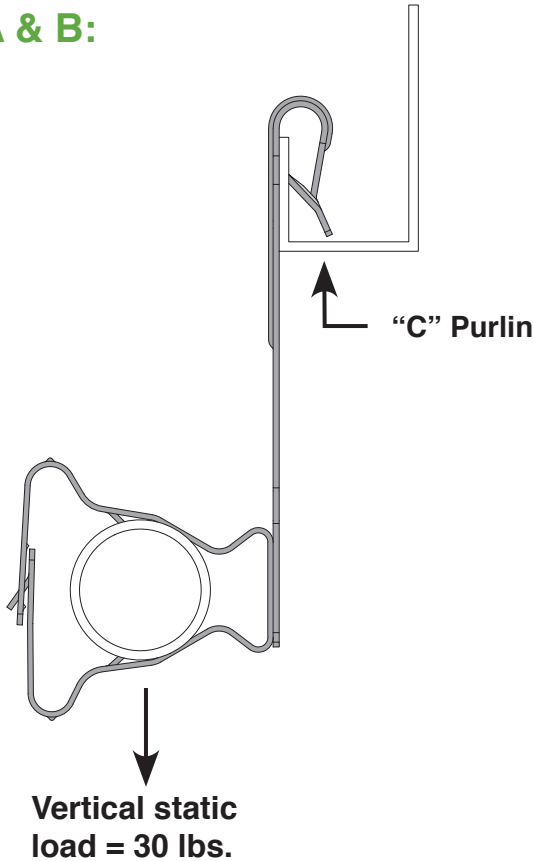
Revision: 0

[www.phoenixsupports.com](http://www.phoenixsupports.com) • 800-721-0404

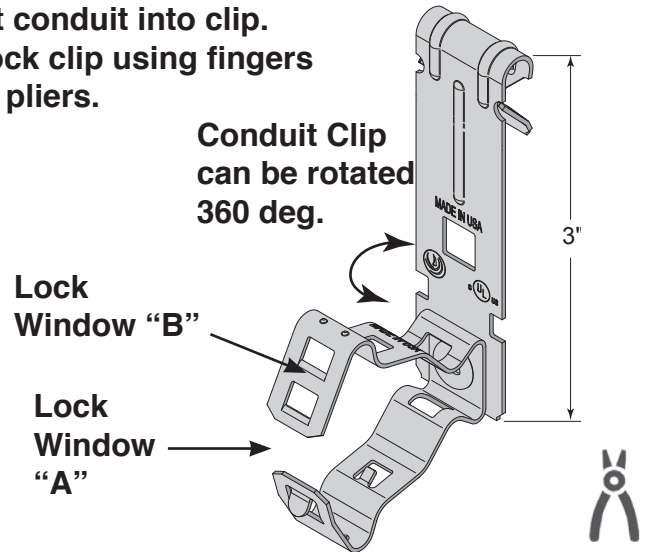
**CUSTOMER RESPONSIBILITIES:** At a minimum the customer(s) is responsible for using industry standard hardware and fasteners, inspecting the structural integrity of the structure to which Phoenix Support Systems products will be attached, conforming to all governing codes and regulations at the job site and following all safety precautions related to the work being performed.

**WARNING:** Phoenix Support Systems products must never be used for purposes other than those for which they were designed or in any way that exceeds published load ratings. All load ratings are for static conditions and do not account for dynamic loading such as wind, water or seismic loads. Phoenix Support Systems products must be installed and used only as indicated in Phoenix Support Systems installation and instruction sheets. Improper installation, misuse, misapplication or any other failure to completely follow Phoenix Support System's instructions could lead to decreased load rating, product failure, property damage, injury or even death.

**ITEM A & B:**



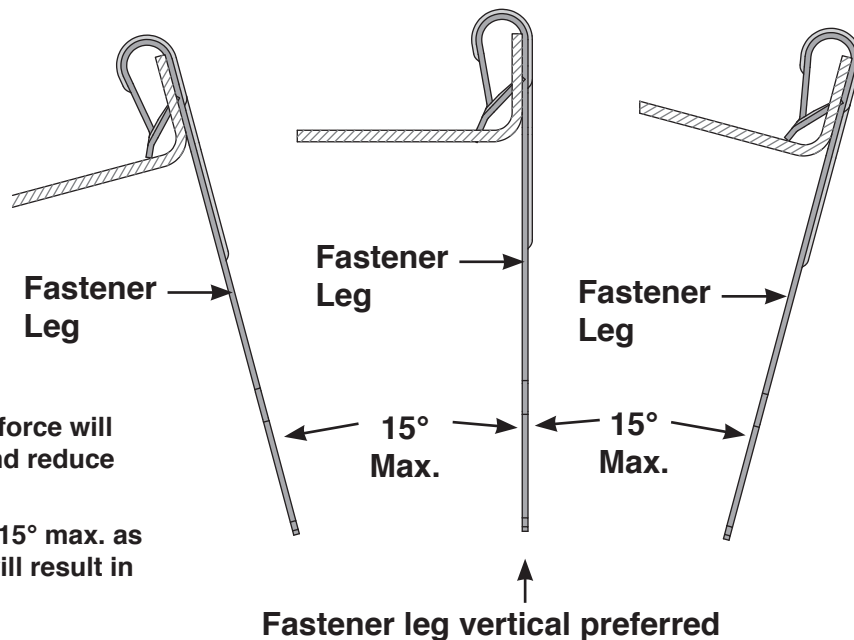
Verify lock window from the chart.  
Fit conduit into clip.  
Lock clip using fingers or pliers.



	Lock Window “A”	Lock Window “B”
Conduit Size	1/2" Rigid	1/2" EMT, IMC
	3/4" EMT, IMC, Rigid	
	1" EMT, Rigid	N/A

**WARNINGS:**

- Excessive hammer force will damage fastener and reduce load rating.
- Never deviate from 15° max. as shown. Deviation will result in fastener failure.



Phoenix Support Systems  
931 Summit Avenue  
Niles, Ohio 44446, USA  
Fax: 330-505-9959



Tel: 800-721-0404

www.phoenixsupports.com

